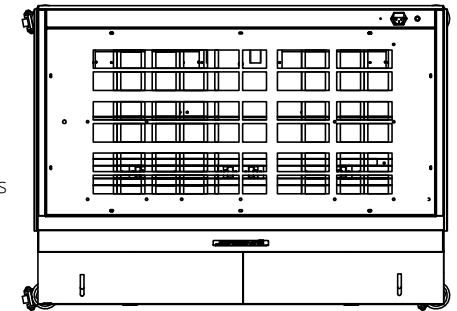
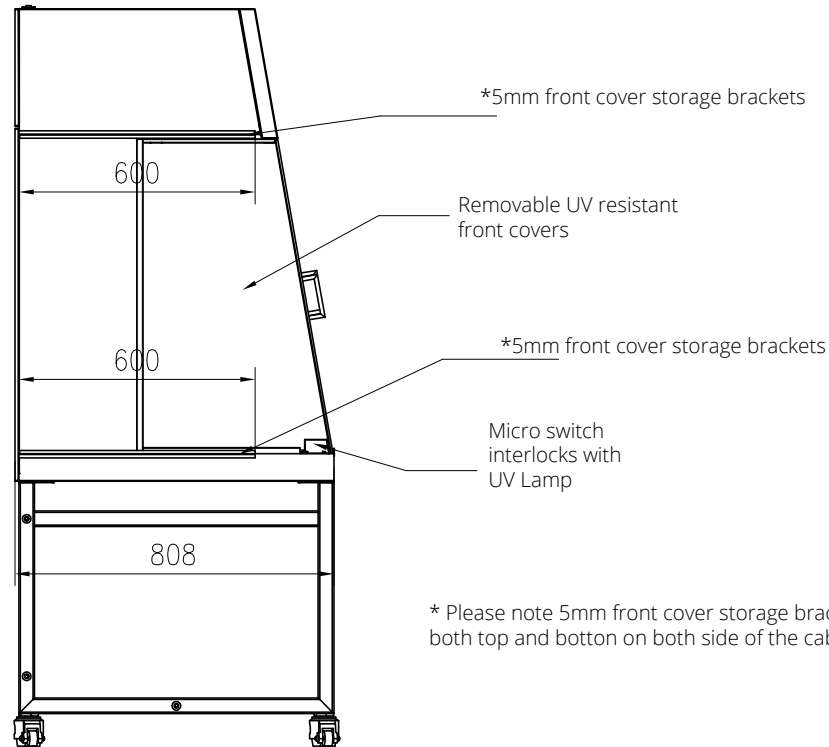
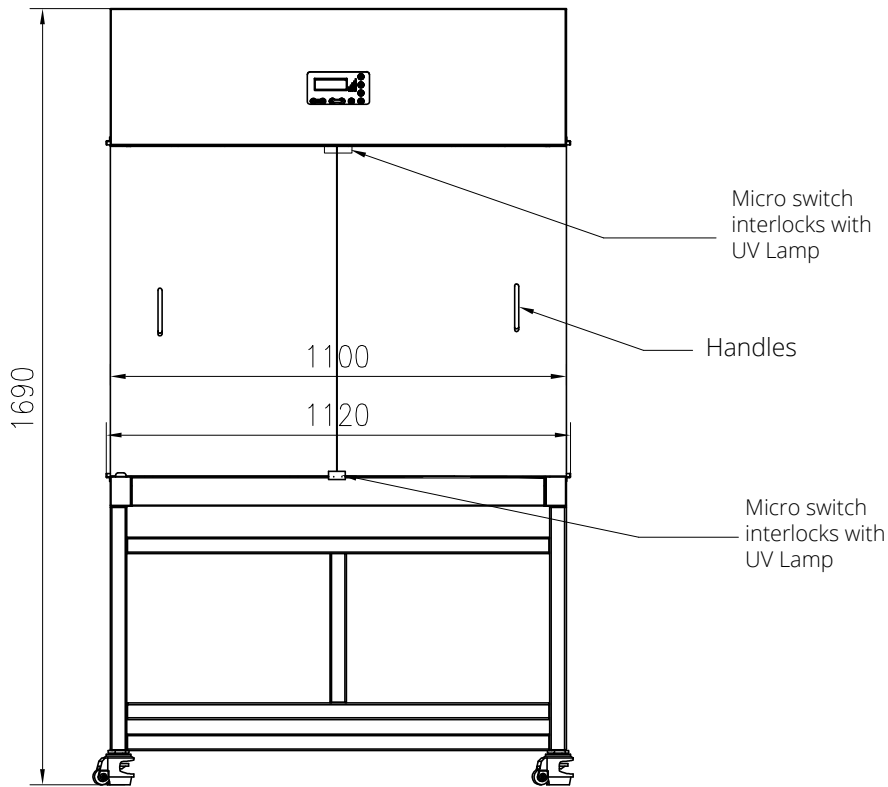


**Clean Work Station
BSE-OPIRA-H1100**



1300 157 969

SOLUTIONS@OPIRA.COM.AU



* Please note 5mm front cover storage brackets are located both top and bottom on both side of the cabinet

OPIRA BRISBANE

32 DIVIDEND STREET
MANSFIELD, QLD 4122

OPIRA MELBOURNE

25 GRAHAM ROAD
CLAYTON SOUTH, VIC 3169

OPIRA PERTH

9 EARLSTON PLACE
BOORAGOON, WA 6154

OPIRA SYDNEY

20 DUKE ST
FORESTVILLE, NSW 2087